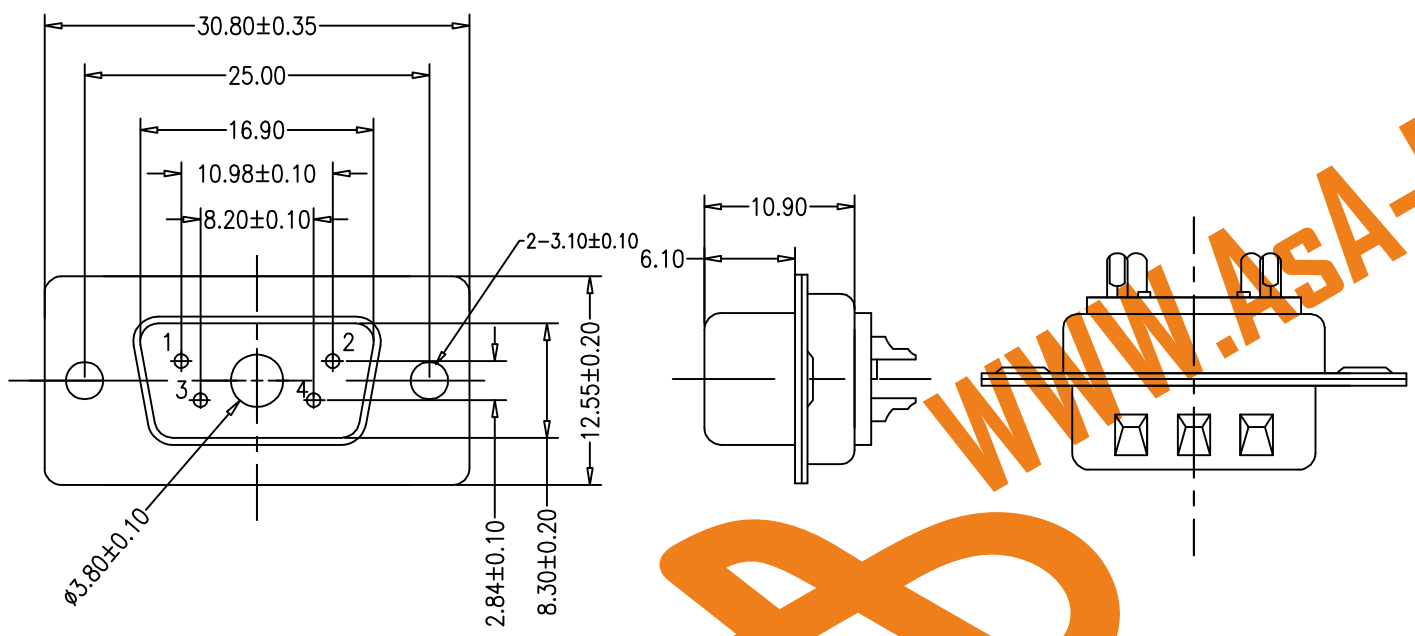


ROHS COMPLIANT

# Coaxial D-SUB 5W1 MALE Solder Cup



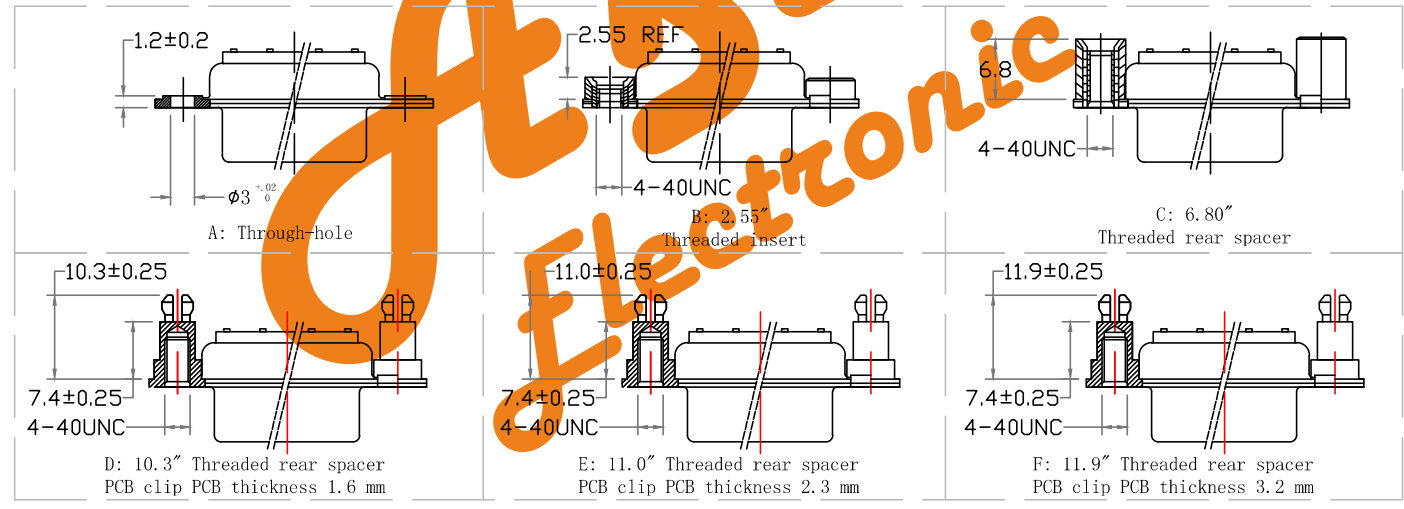
**ELECTRICAL CHARACTERISTICS:**  
 Dielectric withstanding Voltage: AC 1000V r.m.s.  
 Insulation Resistance: 500 Megohms Minimum at DC 500V  
 Contact Resistance: 25 Milliohms  
 Operating Temperature: -20°C~+85°C

**MATERIALS:**  
 Insulator: PBT, UL 94V-0 Rated  
 Shell: Cold Roller Steel

Ordering Code:

PDC5W1	-M	-G0	-B	-X	-00
①	②	③	④	⑤	⑥

- ① Series
- ② Contact Type:  
M:Male F:Female
- ③ Contact NO. :  
G0: Gold flash G1: 3u" Gold  
G2: 5u" Gold G3: 10u" Gold  
G4: 15u" Gold G5: 30u" Gold
- ④ Insulation Color Code:  
B:Black L:Blue  
W:White
- ⑤ Mounting Option:  
A: Through-hole  
B: 2.55" Threaded insert  
C: 6.80" Threaded rear spacer  
D: 10.3" Threaded rear spacer  
E: 11.0" Threaded rear spacer  
F: 11.9" Threaded rear spacer  
PCB clip
- ⑥ Series



Unless Otherwise specified tolerance  
 X.±0.35  
 X.X:±0.25  
 X.XX:±0.20  
 X.XXX:±0.15



SCALE: 1:1 UNIT: mm

DRAWN: junfon H  
 CHECKED: YANG

TITLE:  
 Coaxial D-SUB 5W1 MALE Solder Cup



DRAWING NO: PDC5W1-MXXX00  
 PRODUCT NO: PDC5W1-MXXX00

REV	Add option of plating	12/7/17
1	DESCRIPTION	DATE